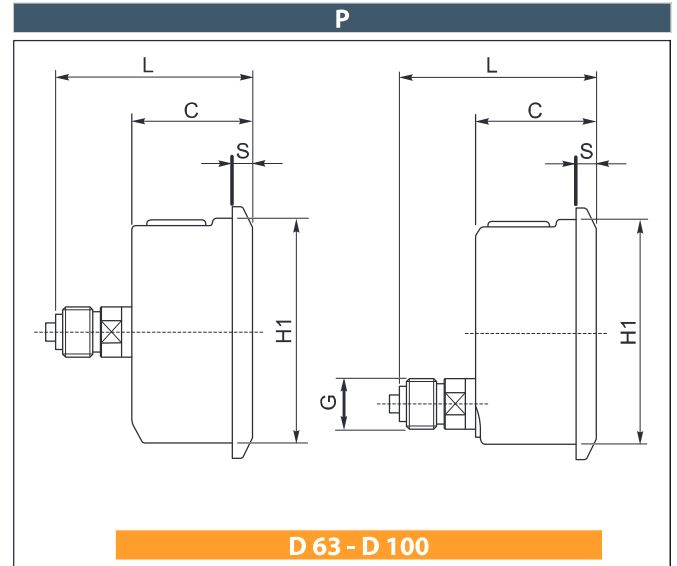
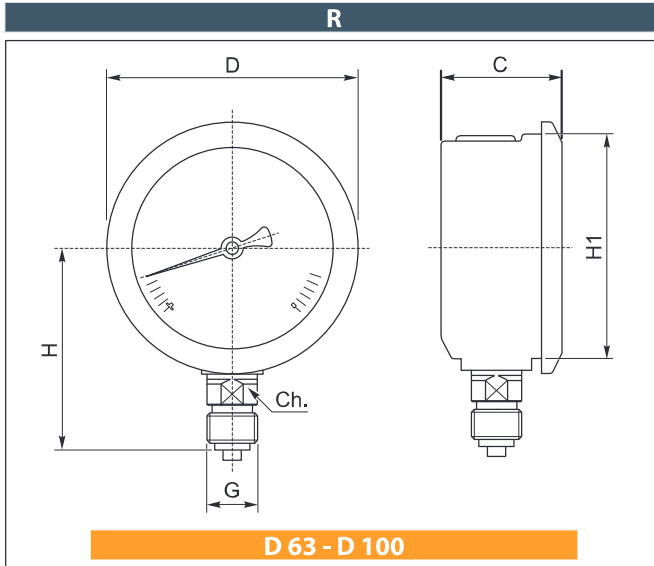



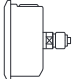




Manometri cassa acciaio inox con riempimento glicerina

Pressure gauges stainless steel case. Glycerine filled



	D	ISO228	H	H1	L mm	S mm	C mm	Ch mm	KI % F.S
<b>D 63</b>	63	G 1/4" A	54	62	56	6.5	32	14	1.6
<b>D 100</b>	100	G 1/2" B	87	100	81.5	8	48	22	1

<b>D 63</b>		
Scala / Range [bar]	Codice/Ref.	
		
-1...0	<b>063.V01R</b>	<b>063.V01P</b>
0...0.6	<b>063.V06R</b>	<b>063.V06P</b>
0...1	<b>063.001R</b>	<b>063.001P</b>
0...1.6	<b>063.V16R</b>	<b>063.V16P</b>
0...2.5	<b>063.V25R</b>	<b>063.V25P</b>
0...4	<b>063.004R</b>	<b>063.004P</b>
0...6	<b>063.006R</b>	<b>063.006P</b>
0...10	<b>063.010R</b>	<b>063.010P</b>
0...16	<b>063.016R</b>	<b>063.016P</b>
0...25	<b>063.025R</b>	<b>063.025P</b>
0...40	<b>063.040R</b>	<b>063.040P</b>
0...60	<b>063.060R</b>	<b>063.060P</b>
0...100	<b>063.100R</b>	<b>063.100P</b>
0...160	<b>063.160R</b>	<b>063.160P</b>
0...250	<b>063.250R</b>	<b>063.250P</b>
0...315	<b>063.315R</b>	<b>063.315P</b>
0...400	<b>063.400R</b>	<b>063.400P</b>
0...600	<b>063.600R</b>	<b>063.600P</b>
0...1000	<b>063.M00R</b>	<b>063.M00P</b>

<b>D 100</b>		
Scala / Range [bar]	Codice/Ref.	
		
-1...0	<b>100.V01R</b>	<b>100.V01P</b>
0...0.6	<b>100.V06R</b>	<b>100.V06P</b>
0...1	<b>100.001R</b>	<b>100.001P</b>
0...1.6	<b>100.V16R</b>	<b>100.V16P</b>
0...2.5	<b>100.V25R</b>	<b>100.V25P</b>
0...4	<b>100.004R</b>	<b>100.004P</b>
0...6	<b>100.006R</b>	<b>100.006P</b>
0...10	<b>100.010R</b>	<b>100.010P</b>
0...16	<b>100.016R</b>	<b>100.016P</b>
0...25	<b>100.025R</b>	<b>100.025P</b>
0...40	<b>100.040R</b>	<b>100.040P</b>
0...60	<b>100.060R</b>	<b>100.060P</b>
0...100	<b>100.100R</b>	<b>100.100P</b>
0...160	<b>100.160R</b>	<b>100.160P</b>
0...250	<b>100.250R</b>	<b>100.250P</b>
0...315	<b>100.315R</b>	<b>100.315P</b>
0...400	<b>100.400R</b>	<b>100.400P</b>
0...600	<b>100.600R</b>	<b>100.600P</b>
0...1000	<b>100.M00R</b>	<b>100.M00P</b>